

Stamp...if required

MODIFICATIONS

- A Revise standard truss details
- B Revise window and door details; add reversed wall

Unless the LORD builds the house,
 its builders labor in vain.
 Unless the LORD watches over the city,
 the watchmen stand guard in vain.
(Psalm 127)

Project: **School Building 20' x 24'**
 True North Helping Hands

Sheet Title: **COVER SHEET**

Drawn by: M.LewisS Date: 22 May 2007

Scale: NTS Revision Date: 12 June 2011

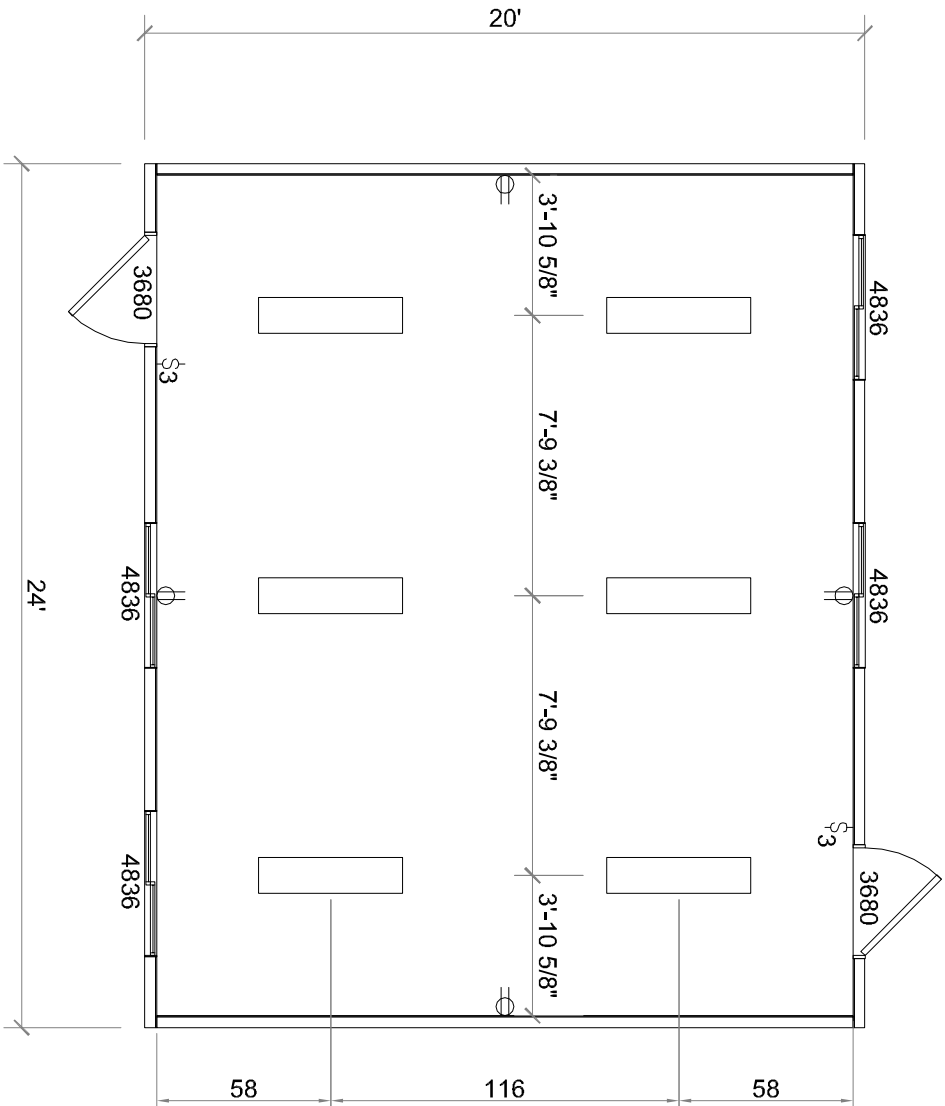
Sheet Number:

C-101

REV B

Automated Drafting and Design

Lewis Skiles
 AutoCAD Draftsman
 1111 Z Street
 Vancouver, WA 98661
 360.281.0875
 lewis.skiles@gmail.com
 www.LewisDrafting.com



Automated Drafting and Design

Lewis Skiles
 AutoCAD Draftsman
 1111 Z Street
 Vancouver, WA 98661
 360.281.0875
 lewis.skiles@gmail.com
 www.LewisDrafting.com

Stamp...if required

MODIFICATIONS

- A) Revise standard truss details
- B) Revise window and door details: add reversed wall

Project: **School Building 20' x 24'**
 True North Helping Hands

Sheet Number:

Sheet Title: **Floor Plan Electrical**

Drawn by: MLEWISS

AP-101

Scale: 3/16" = 1'-0"

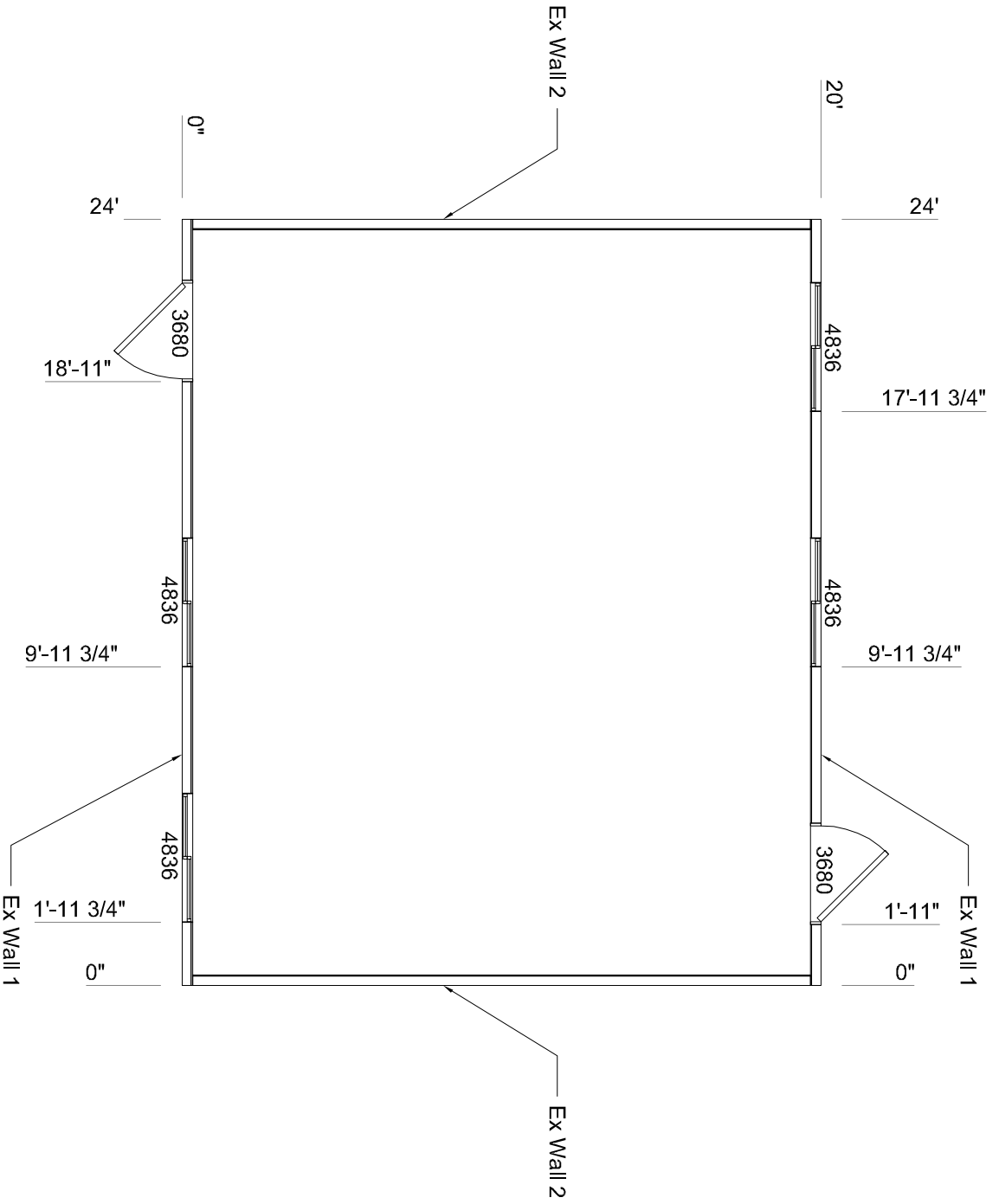
Date: 22 May 2007

Revision Date: 12 June 2011

Revision Date: 12 June 2011

REV B

Unless the LORD builds the house,
 its builders labor in vain.
 Unless the LORD watches over the city,
 the watchmen stand guard in vain. (Psalm 127)



Automated Drafting and Design

Lewis Skiles
 AutoCAD Draftsman
 1111 Z Street
 Vancouver, WA 98661
 360.281.0875
 lewis.skiles@gmail.com
 www.LewisDrafting.com

Stamp...if required

MODIFICATIONS

- A Revise standard truss details
- B Revise window and door details; add reversed wall

Unless the LORD builds the house,
 its builders labor in vain.
 Unless the LORD watches over the city,
 the watchmen stand guard in vain. Psalm 127

Project: **School Building 20' x 24'**
 True North Helping Hands

Sheet Number:

Sheet Title: **WALL SET PLAN**

WS-101

Drawn by: M Lewis
 Date: 22 May 2007
 Scale: 3/16" = 1'-0"
 Revision Date: 12 June 2011

REV B

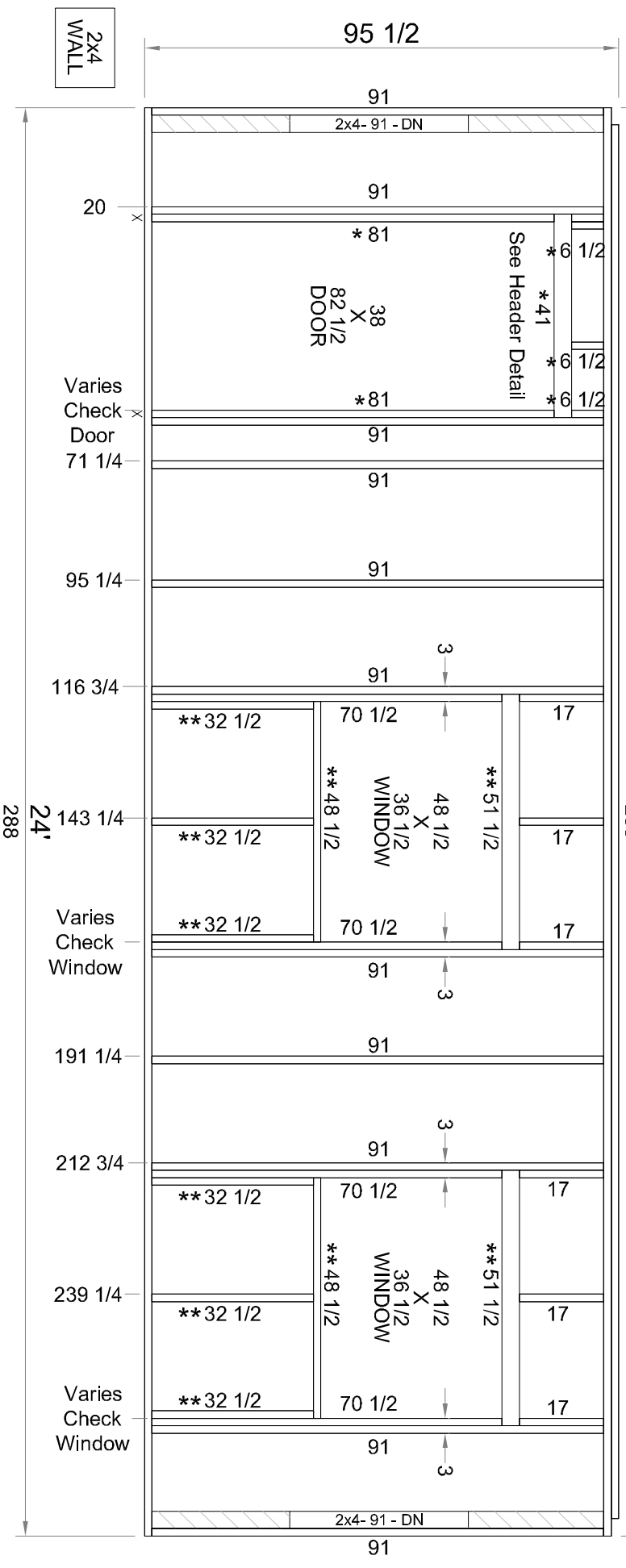
| CUT LIST | | | |
|----------|------|--------|--|
| QTY. | SIZE | LENGTH | |
| 4 | 2x4 | 6 1/2 | |
| 6 | 2x4 | 17 | |
| 6 | 2x4 | 32 1/2 | |
| 2 | 2x4 | 41 | |
| 2 | 2x4 | 48 1/2 | |
| 4 | 2x4 | 51 1/2 | |
| 4 | 2x4 | 70 1/2 | |
| 2 | 2x4 | 81 | |
| 13 | 2x4 | 91 | |
| 1 | 2x4 | 281 | |
| 2 | 2x4 | 288 | |



Header Detail
 (2) 2x4 on End
 1/2" Ply Filler

* Verify Door size and adjust Jack Stud, Cripples and Header length accordingly

** Verify Window size and adjust Bottom Cripple Height and Sill and Header length accordingly



Automated Drafting and Design
 Lewis Skiles
 AutoCAD Draftsman
 11111 Z Street
 Vancouver, WA 98661
 360.281.0875
 lewis.skiles@gmail.com
 www.LewisDrafting.com

Stamp...if required

MODIFICATIONS

| | |
|---|---|
| A | Revise standard truss details |
| B | Revise window and door details; add reversed wall |

Project: **School Building 20' x 24'**
 True North Helping Hands

Sheet Title: **EXTERIOR WALL**

Drawn by: **MLewis** Date: **02-28-07/2007**

Scale: 3/8" = 1'-0" Revision Date: 12 June 2011

Unless the LORD builds the house,
 its builders labor in vain.
 Unless the LORD watches over the city,
 the watchmen stand guard in vain. Psalm 127

Sheet Number: **IW-101**

REV B

| QTY. | CUT LIST | SIZE | LENGTH |
|------|----------|--------|--------|
| 4 | 2x4 | 6 1/2 | |
| 6 | 2x4 | 17 | |
| 6 | 2x4 | 32 1/2 | |
| 2 | 2x4 | 41 | |
| 2 | 2x4 | 48 1/2 | |
| 4 | 2x4 | 51 1/2 | |
| 4 | 2x4 | 70 1/2 | |
| 2 | 2x4 | 81 | |
| 13 | 2x4 | 91 | |
| 1 | 2x4 | 281 | |
| 2 | 2x4 | 288 | |



Header Detail
(2) 2x4 on End
1/2" Ply Filler

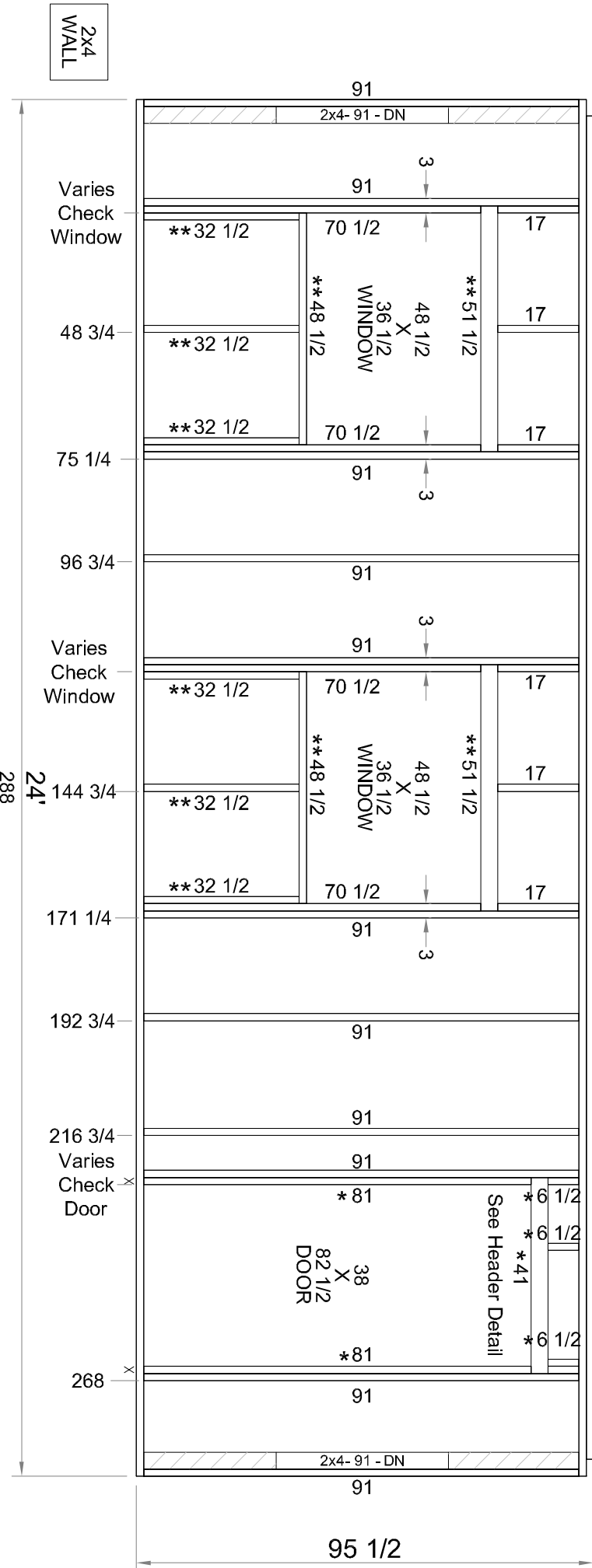
3 1/2

** Verify Window size and adjust
Bottom Cripple Height and Sill
and Header length accordingly

281
288

* Verify Door size and adjust
Jack Stud, Cripples and
Header length accordingly

3 1/2



Automated Drafting and Design

Lewis Skiles
AutoCAD Draftsman
11111 Z Street
Vancouver, WA 98661
360.281.0875
lewis_skiles@gmail.com
www.LewisDrafting.com

Stamp...if required

MODIFICATIONS

- A Reverse standard truss details
- B Reverse window and door details; add reversed wall

Unless the LORD builds the house,
its builders labor in vain.
Unless the LORD watches over the city,
the watchmen stand guard in vain. Psalm 127

Project: School Building 20' x 24'
True North Helping Hands

Sheet Title: EXTERIOR WALL

Sheet Number:

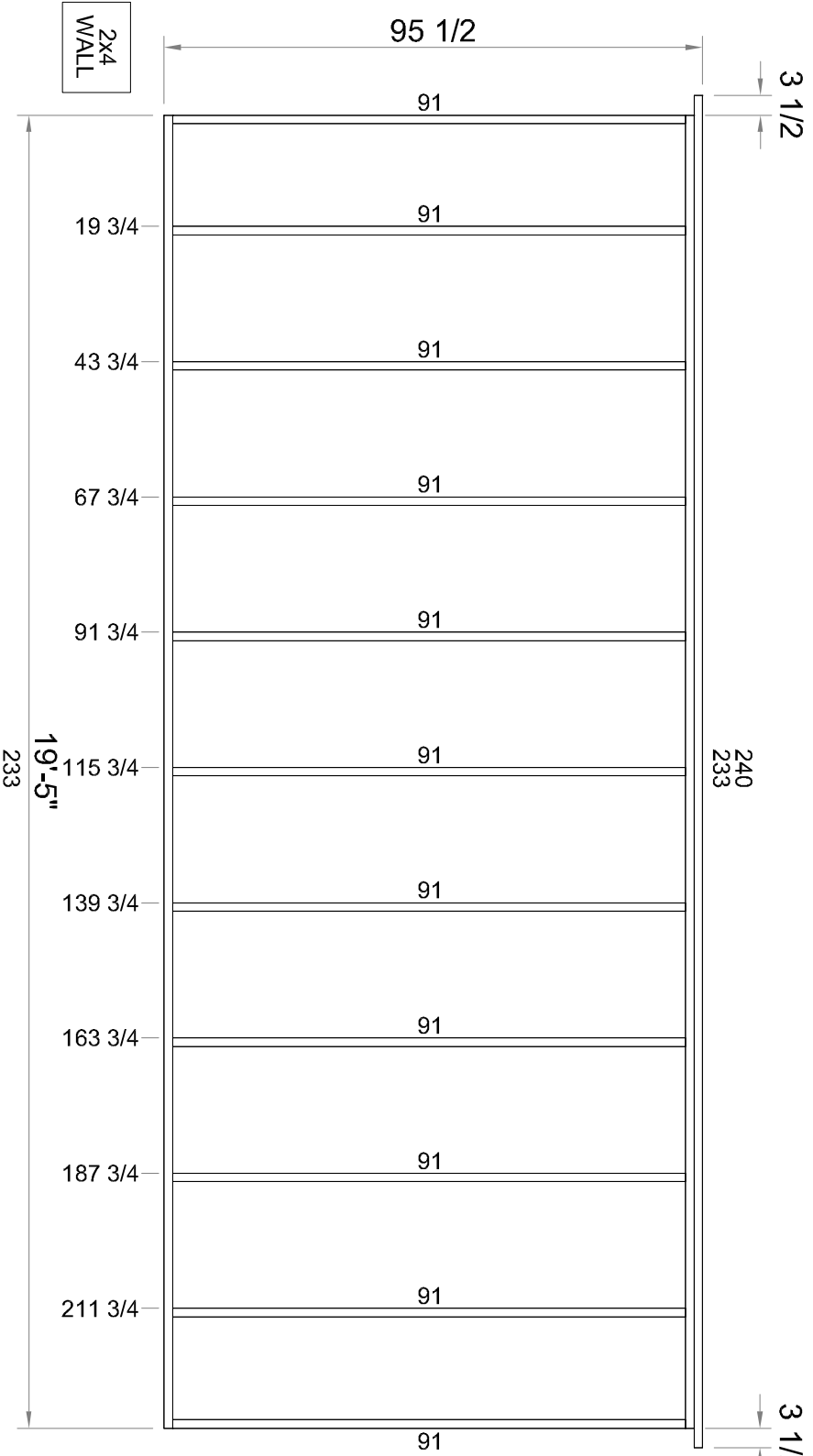
IW-101R

Drawn by: MLewis
Date: 02-28/2007
Scale: 3/8" = 1'-0"

Revision Date: 12 June 2011

REV B

| CUT LIST | | |
|----------|------|--------|
| QTY. | SIZE | LENGTH |
| 11 | 2x4 | 91 |
| 2 | 2x4 | 233 |
| 1 | 2x4 | 240 |



Automated Drafting and Design

Lewis Skiles
 AutoCAD Draftsman
 1111 Z Street
 Vancouver, WA 98661
 360.281.0875
 lewis.skiles@gmail.com
 www.LewisDrafting.com

Stamp...if required

MODIFICATIONS

- A Reverse standard truss details
- B Reverse window and door details; add reversed wall

Unless the LORD builds the house,
 its builders labor in vain.
 Unless the LORD watches over the city,
 the watchmen stand guard in vain. Psalm 127

Project: **School Building 20' x 24'**
 True North Helping Hands

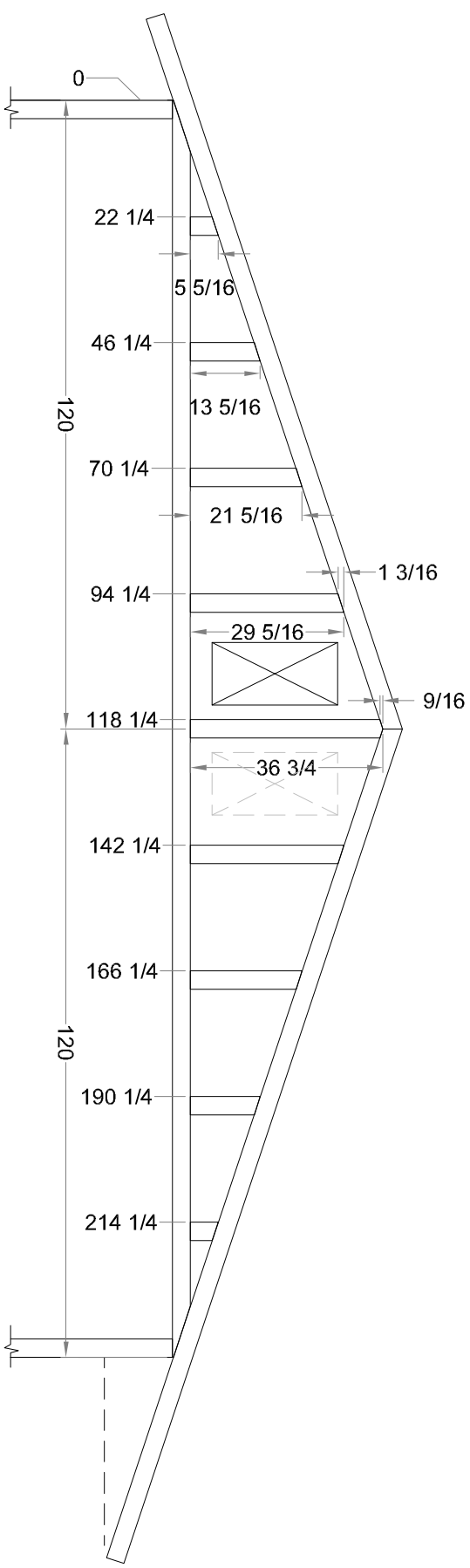
Sheet Title: **EXTERIOR WALL**

Sheet Number:

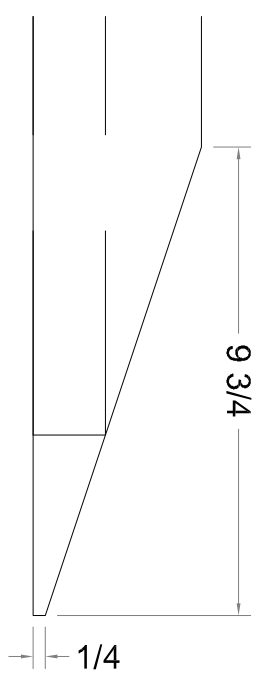
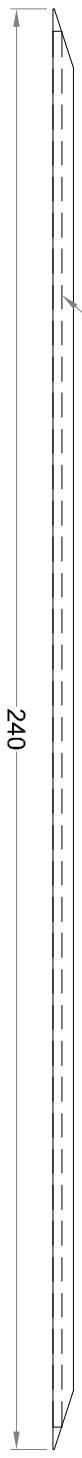
IW-102

Drawn by: M.Lewis
 Date: 22 May 2007
 Scale: 3/8" = 1'-0"
 Revision Date: 12 June 2011

REV B



2x4x23 1/2 FLAT ON INTERIOR SIDE OF BOTTOM CHORD



Automated Drafting and Design

Lewis Skiles
 AutoCAD Draftsman
 1111 Z Street
 Vancouver, WA 98661
 360.281.0875
 lewis.skiles@gmail.com
 www.LewisDrafting.com

Stamp...if required

MODIFICATIONS

- A. Revise standard truss details
- B. Revise window and door details: add reversed wall

Unless the LORD builds the house,
 its builders labor in vain.
 Unless the LORD watches over the city,
 the watchmen stand guard in vain. (Psalm 127)

Project: **School Building 20' x 24'**
 Title: **True North Helping Hands**

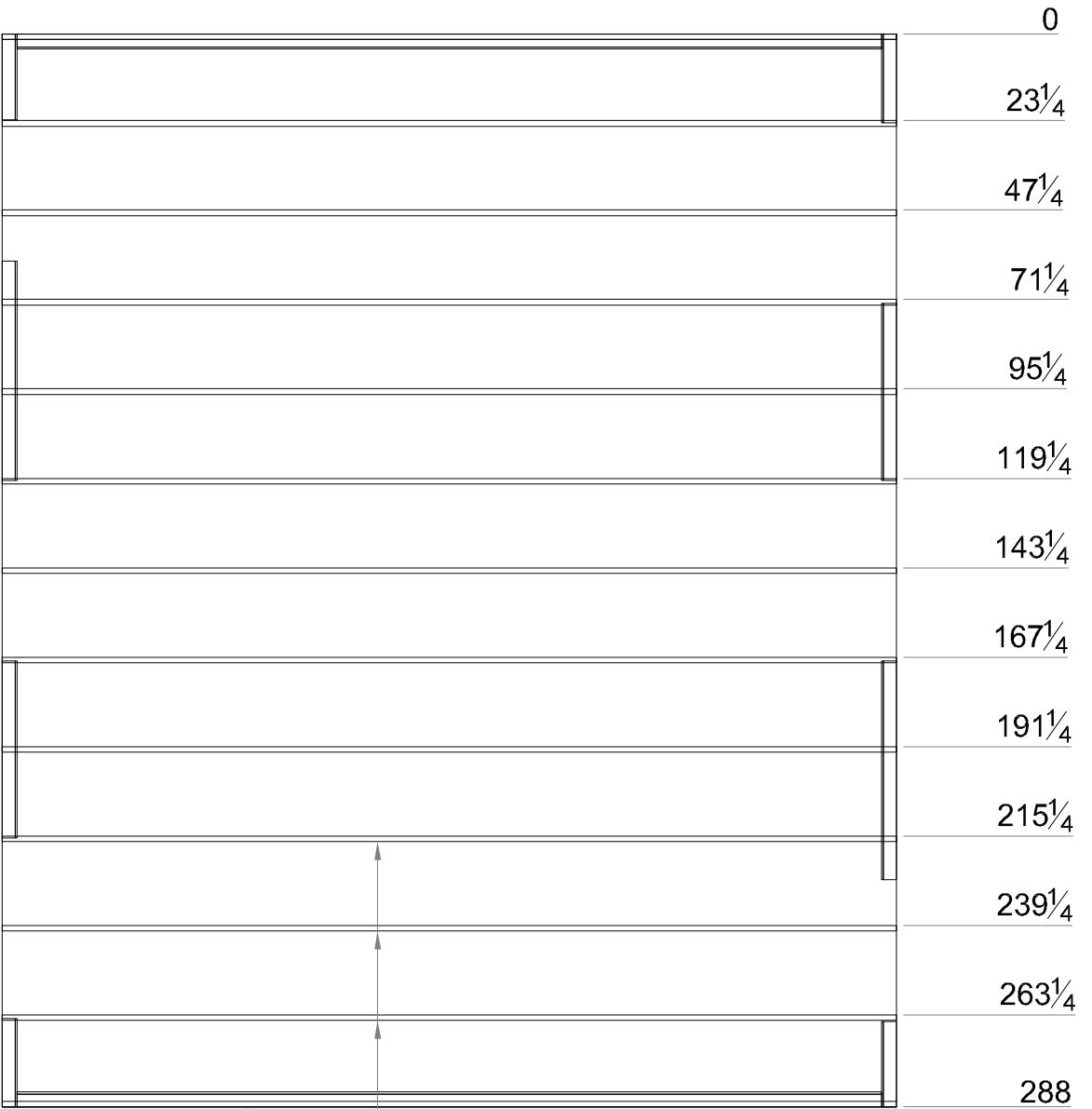
Sheet Title: **ROOF/TRUSS GABLE**

Drawn by: **MLewis**
 Date: **22 May 2007**
 Scale: **3/8" = 1'-0"**
 Revision Date: **12 June 2011**

Sheet Number:

RT-102

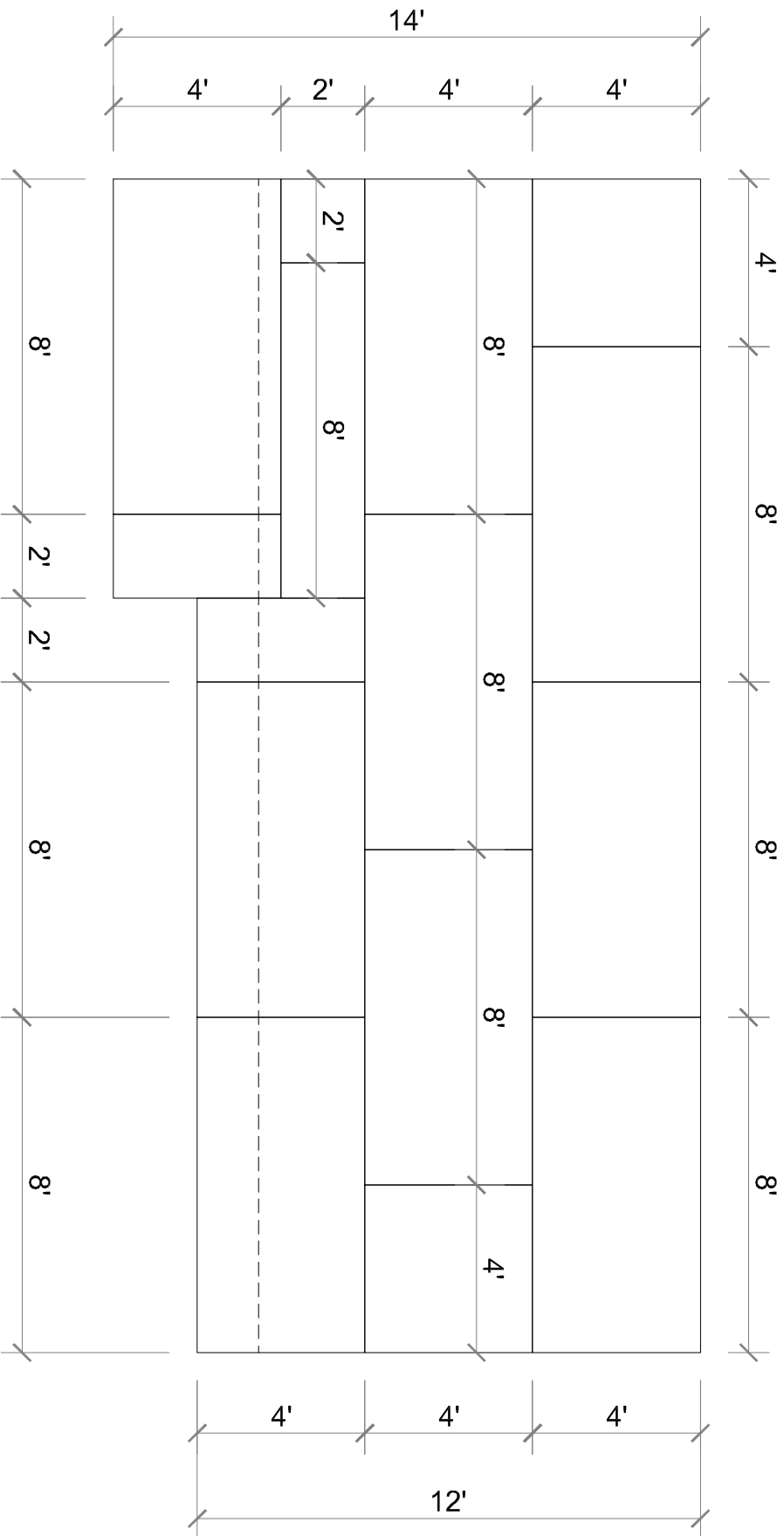
REV B



SEE RT-101
FOR STANDARD
TRUSS AT 24"oc

SEE RT-102
FOR GABLE
TRUSS EACH END

| | | | |
|---|--|---|--|
| Automated Drafting and Design Lewis Skiles AutoCAD Draftsman 1111 Z Street Vancouver, WA 98661 360.281.0875 lewis.skiles@gmail.com www.LewisDrafting.com | | Stamp...if required | |
| MODIFICATIONS A Revise standard truss details B Revise window and door details: add reversed wall | | Project: School Building 20' x 24' True North Helping Hands Sheet Title: TRUSS LAYOUT | |
| Unless the LORD builds the house, its builders labor in vain. Unless the LORD watches over the city, the watchmen stand in vain. (Psalm 127) | | Drawn by: MLEWISS Scale: 1/4" = 1'-0" | Date: 22 May 2007 Revision Date: 12 June 2011 |
| Sheet Number: | | RT-103 | |
| | | REV B | |



Automated Drafting and Design

Lewis Skiles
 AutoCAD Draftsman
 1111 Z Street
 Vancouver, WA 98661
 360.281.0875
 lewis.skiles@gmail.com
 www.LewisDrafting.com

Stamp...if required

MODIFICATIONS

- A) Revise standard truss details
- B) Revise window and door details: add reversed wall

Unless the LORD builds the house,
 its builders labor in vain.
 Unless the LORD watches over the city,
 the watchmen stand guard in vain. (Psalm 127)

Project: **School Building 20' x 24'**
 True North Helping Hands

Sheet Number:

Sheet Title:

ROOF SHEATHING

RS-101

Drawn by: M Lewis

Date: 22 May 2007

Scale: 1/4" = 1'-0"

Revision Date: 12 June 2011

REV B